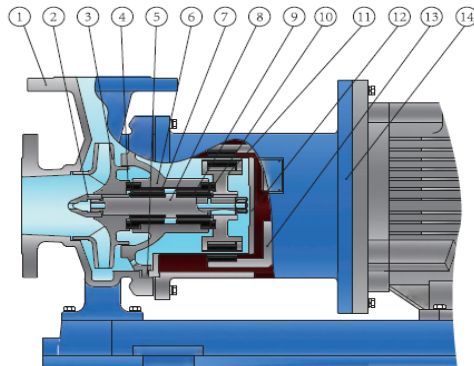


## Stainless Steel Magnetic Drive

### Stainless Steel Magnetic Drive End Suction Pump (TMC-P)

All of pump flow parts are made of stainless steel.  
Have good corrosion resistance for the organic acid,  
organic compound, alkaline, and basic solution

- Pump material – stainless steel 304/316/316L
- Flow: 3.6 – 100 m<sup>3</sup>/hr
- Head: 20-80 m
- Power: 1.1 – 55kW
- Operating Temperature: -20 - 100°C



Item	Description	Material	Item	Description	Material
1	Casing	Stainless Steel	8	Pump Shaft	Stainless Steel
2	Impeller Nut	-	9	Shaft Sleeve	Tungsten Steel
3	Impeller	Stainless Steel	10	Thrust Ring	Tungsten Carbide
4	Static Ring	-	11	Inner Rotor	Stainless Steel
5	Seal Ring	PTFE	12	Isolation Shell	Stainless Steel
6	Pump Cover	Stainless Steel	13	Isolation Shell	Stainless Steel
7	Bearing	Carbon Graphite	14	Connector	HT200